



# CMRFID

Technology CO. Ltd

## UHF RFID Four Channel Reader:CM-RFID6034E

**Model: CM-RFID6034E**

**Size: 230mmx170mmx40mm**

**N.W:1280g**

CM-RFID6034E is a high performance UHF RFID fixed reader. It is designed upon fully self-intellectual property. Based on proprietary efficient digital signal processing algorithm, it supports fast tag read/write operation with high identification rate.

It can be widely applied in many RFID application systems such as logistics, access control, anti-counterfeit and industrial production process control system.

### FEATURES

Self-intellectual property;

Support ISO18000-6C (EPC C1G2) , ISO18000-6B protocol tag;

902~928MHz frequency band (frequency customization optional);

FHSS or Fix Frequency transmission;

RF output power up to 30dbm (adjustable);  
4 TNC antenna port;

Support auto-running, interactive and scanning work mode;

Low power dissipation with single +9 DC power supply;

Support RS232, RS485, and TCP/IP with other interface optional;

Built-in LED, Buzzer, GPIO and Relay;

High reliability design.

**CMRFID (California)**

✉ allen@cmrfid.com

☎ +1 213 393 0528

**CMRFID (Dubai)**

✉ lman@cmrfid.com

☎ +98 9157986468

+48 574 549 256

**CMRFID (Brazil)**

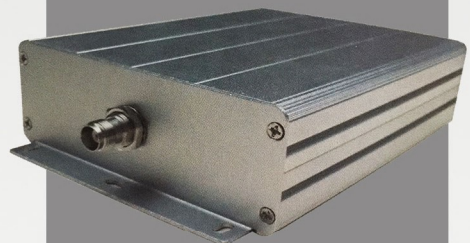
✉ Bruno@cmrfid.com

☎ +55 11 942146391

**CMRFID (Shanghai)**

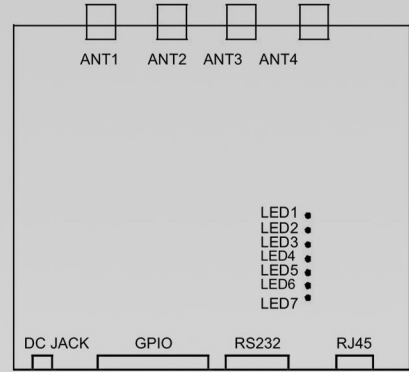
✉ Javier@cmrfid.com

☎ +86 18601658083





# INTERFACE



## 1. Power (DC JACK)

No.	Symbol	Comment
Central	PWR	+9VDC
Outer	GND	Ground

## 2. GPIO (DB15 Female)

No.	Symbol	Comment
1	Output1	General Output1
2	Output2	General Output2
3	Output3	General Output3
4	Output4	General Output4
5	Output5	General Output5
6	Output6	General Output6
7	Output7	General Output7
8	Output8	General Output8
9	TGIN	Trigger input with internal pull-up to 5V through a 10k resistor
10	R+	R+ of RS485
11	R-	R- of RS485
12	GND	Signal Ground
13	NO	Normal-Open terminal of internal relay
14	NC	Normal-Close terminal of internal relay
15	CM	Common terminal of internal relay

## 4. TCPIP network (RJ45)

## 5. TNC antenna port ANT1~ANT4

**CMRFID**

Technology CO. Ltd

## 6. LED indicator LED1~LED7

No.	Symbol	Comment
1	LED1	Antenna 1 active indicator
2	LED2	Antenna 2 active indicator
3	LED3	Antenna 3 active indicator
4	LED4	Antenna 4 active indicator
5	LED5	Tag-detected indicator
6	LED6	Command-executing indicator
7	LED7	Power-on indicator

## CHARACTERISTICS

### Absolute Maximum Rating

ITEM	SYMBOL	VALUE	UNIT
Power Supply	VCC	16	V
Operating Temp.	T <sub>OPR</sub>	-10~+55	°C
Storage Temp.	T <sub>STR</sub>	-20~+75	°C

### Electrical and Mechanical Specification

Under T<sub>A</sub> = 25°C, VCC = +9V unless specified

ITEM	SYMBOL	MIN	TYP	MAX	UNIT
Power Supply	VCC	8	9	12	V
Current Dissipation	I <sub>c</sub>		600	1500	mA
Frequency	FREQ	902		928	MHz

\* Effective distance depends on protocol, tag and environment.