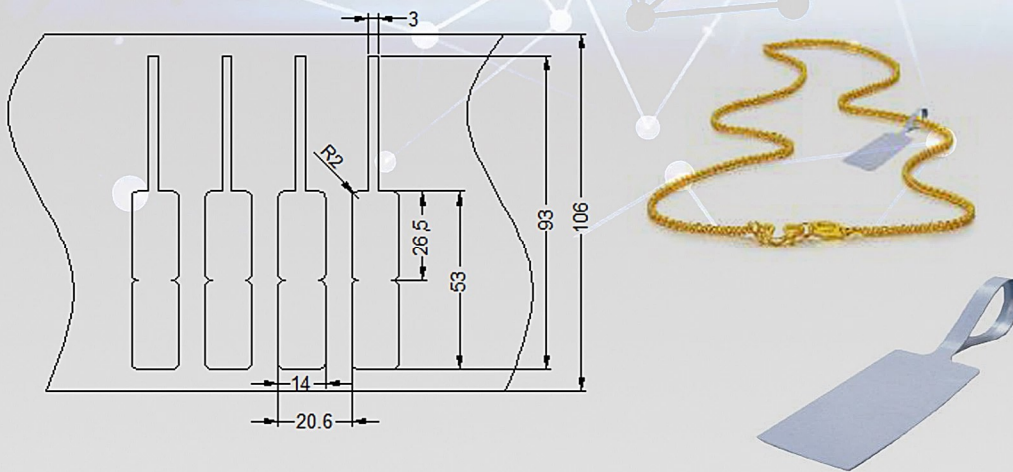




CMRFID
Technology CO., Ltd

RFID JEWELRY LABEL

Product Introduction



MECHANICAL parameters

Substrate	PP film
weight	2g
Delivery format	2000 pcs on reel
Pitch on reel	20.6 mm / 0.81"
Reel core inner diameter	76 mm / 3"
Tag dimensions	93 x 14 x 0.2 mm / 3.66"x0.55"x0.01"

Environmental parameters

Operating temperature	-10°C~70°C / 14°F~158°F
Storage temperature	2 year at +20°C / 50% RH
Ambient temperature	-20°C~85°C/ -4°F~185°F
Expected lifetime	5 Years in normal operating conditions

ELECTRICAL parameters

Device type	Class 1 Generation 2 passive UHF RFID transponder
Air interface protocol	EPC Global Class1 Gen2 ISO 18000-6C
Operational frequency	Global 860-960MHz
IC type	Alien Higgs 3 (In addition to the special requirements)
Memory configuration	With Higgs3: EPC 96-496bit; User 64--512 bit; TID 96 bit
Read range (2W ERP)	Up to 1.5 m / 4.92 ft

CMRFID (California)

✉ allen@cmrfid.com
☎ +1 213 393 0528

CMRFID (Brazil)

✉ Rinaldo@cmrfid.com
☎ +55 11 964337000

CMRFID (Dubai)

✉ Iman@cmrfid.com
☎ +48 574 549 256

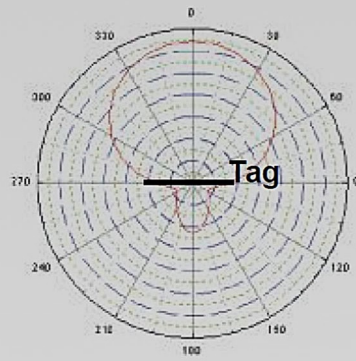
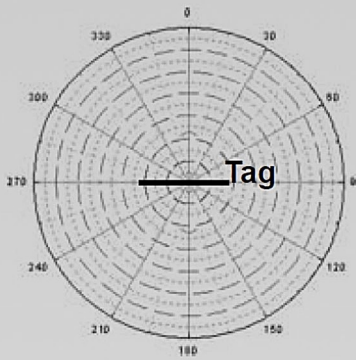
CMRFID (Shanghai)

✉ Javier@cmrfid.com
☎ +86 18601658083

RADIATION DIRECTION



CMRFID
Technology CO. Ltd



PERSONALIZATION OPTIONS

Pre-encoding

- Customer specific encoding of EPC or user memory. Locking permanently or with password. Laxcen offers also data encryption when required.

Customized dual-sided full color artwork

- Layout can include any static artwork.

Customer specific visual printing

- Variable data like barcodes, human readable text, serial number etc.

PACKING FORM

The size of packing box is according to the quantity, It can be customized according to the size volume of product.

The common carton specifications are as follows:

25*25*37	46*46*15
24*24*15	44*44*14